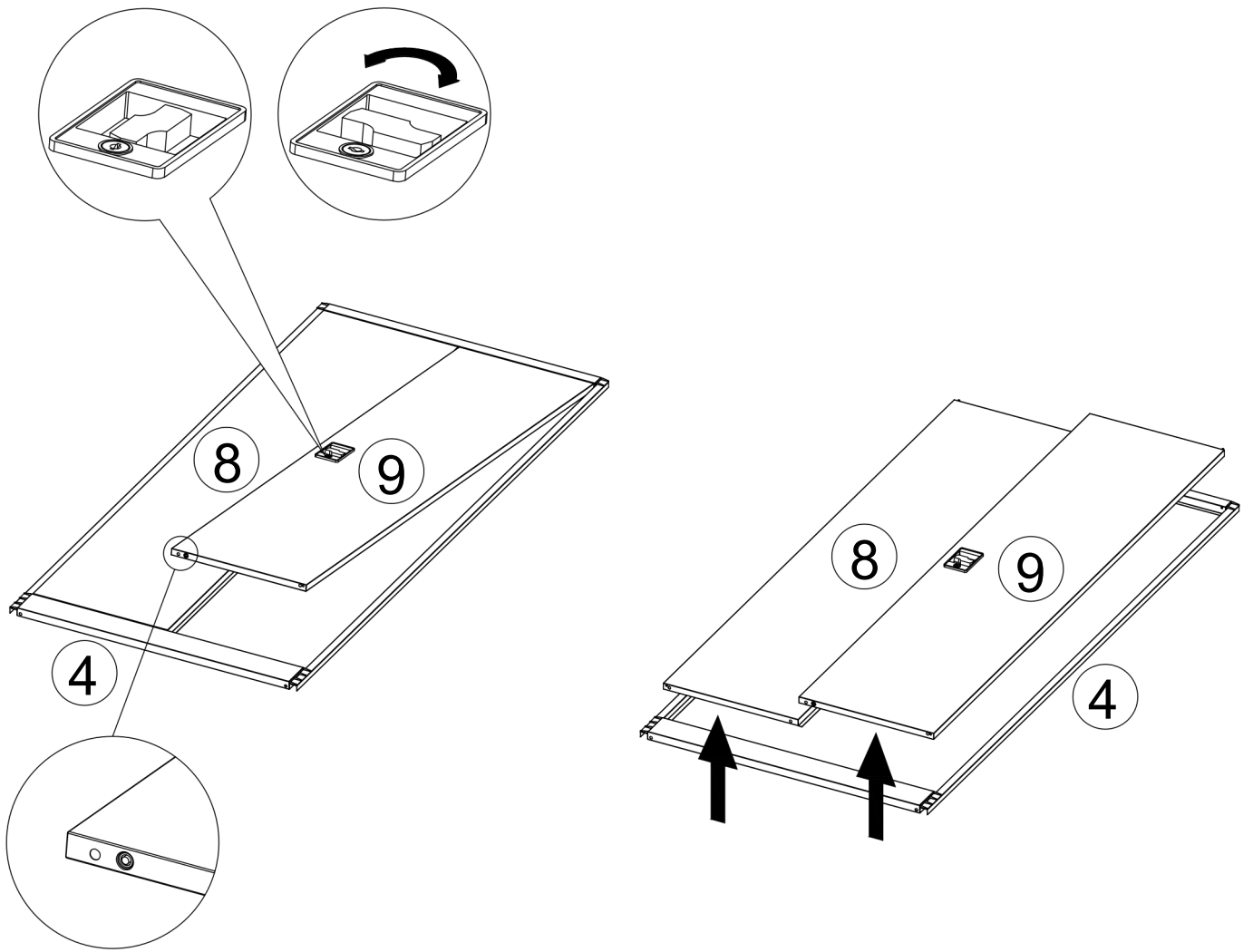
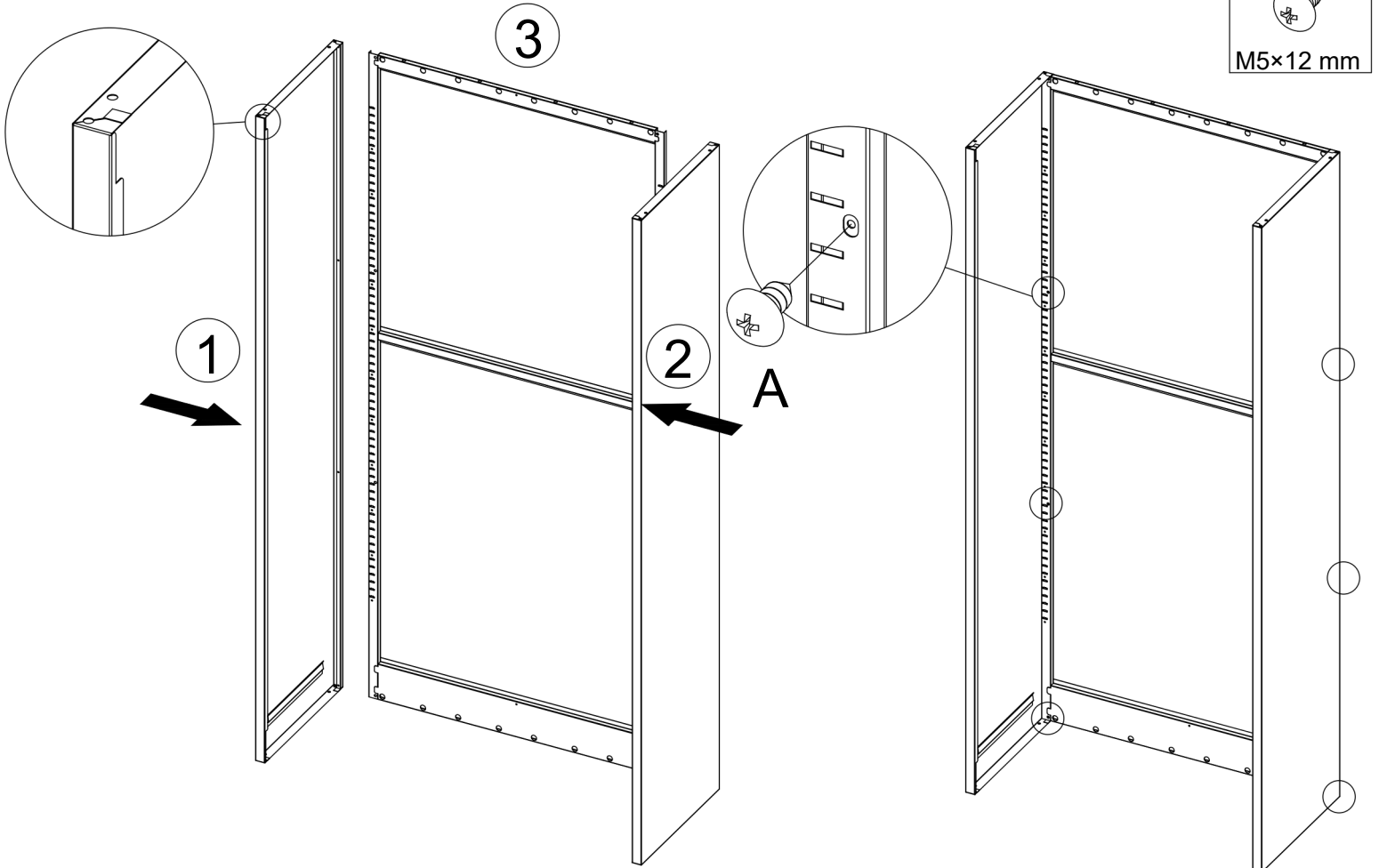


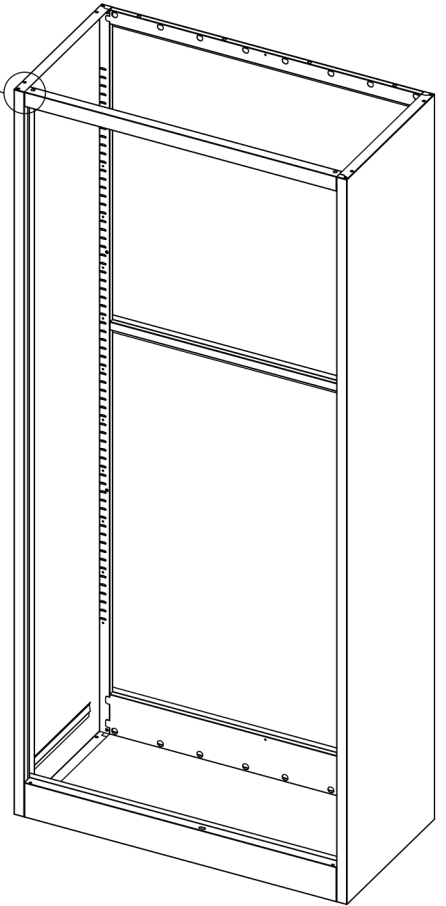
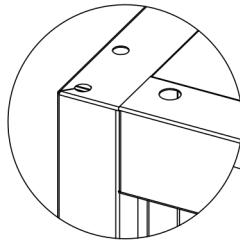
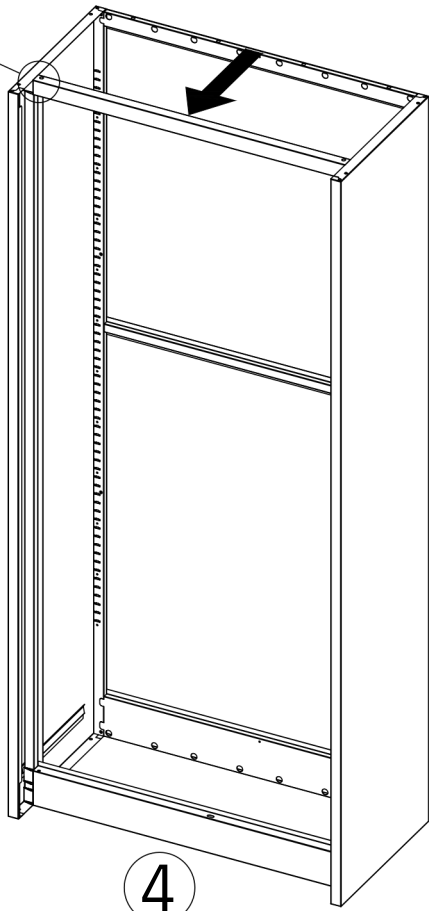
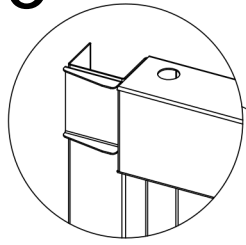
1



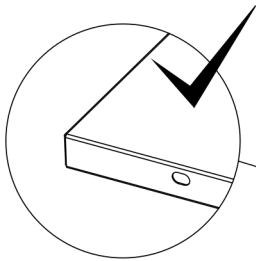
2



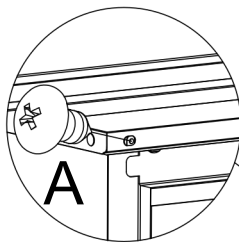
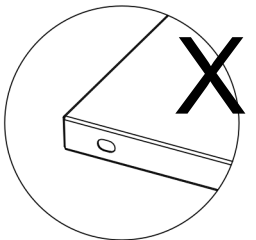
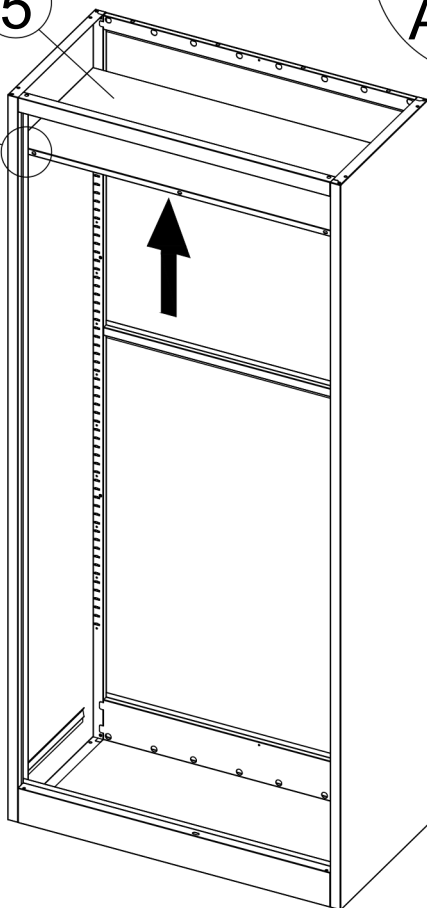
3



4

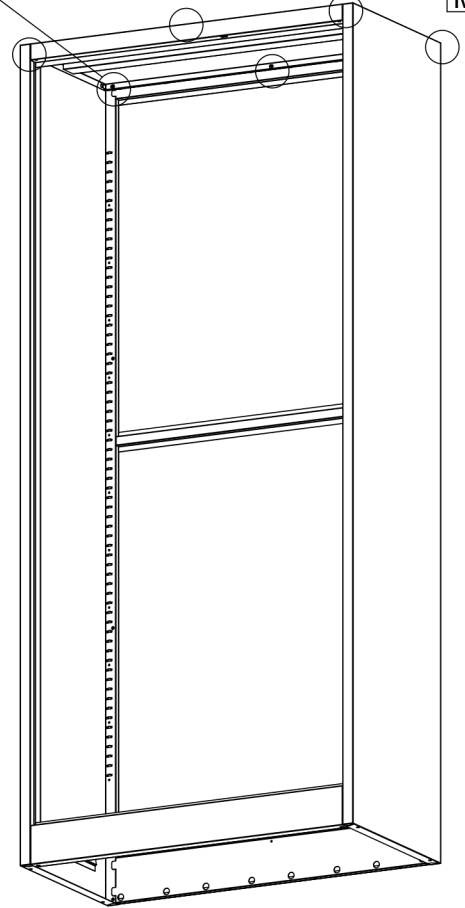


5

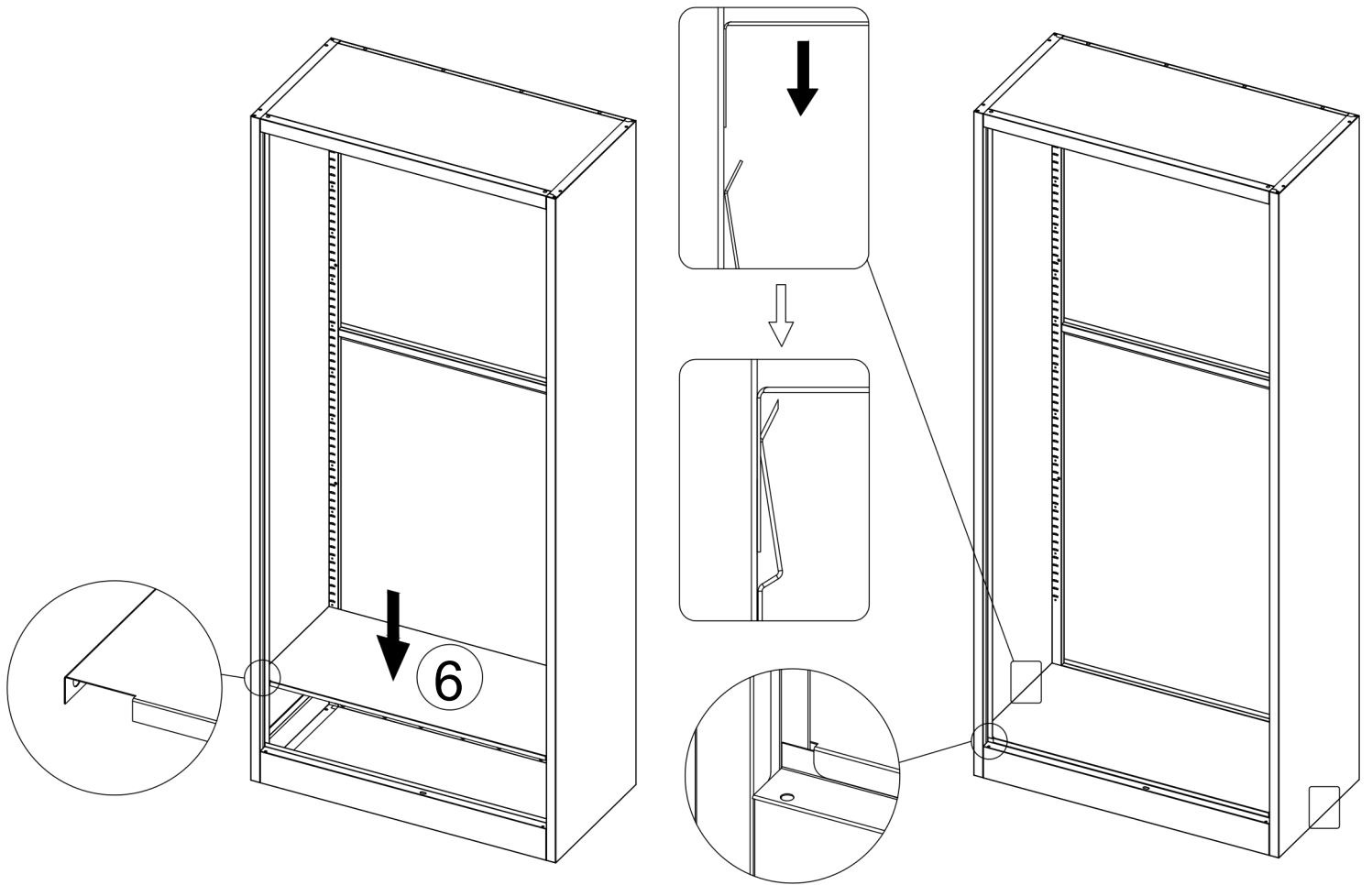


A × 6

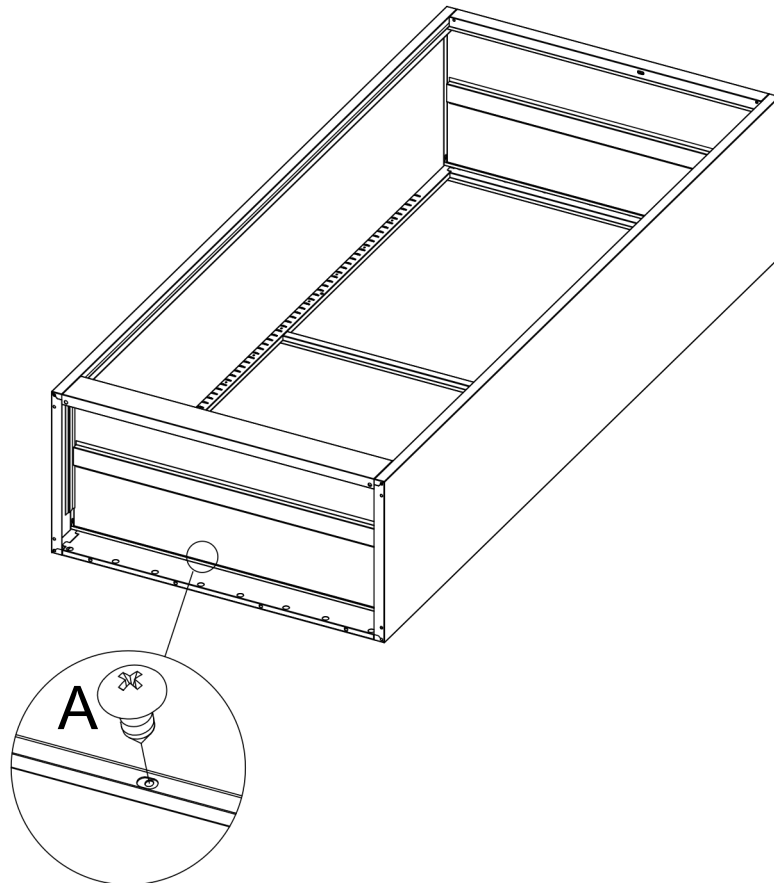
M5×12 mm




5



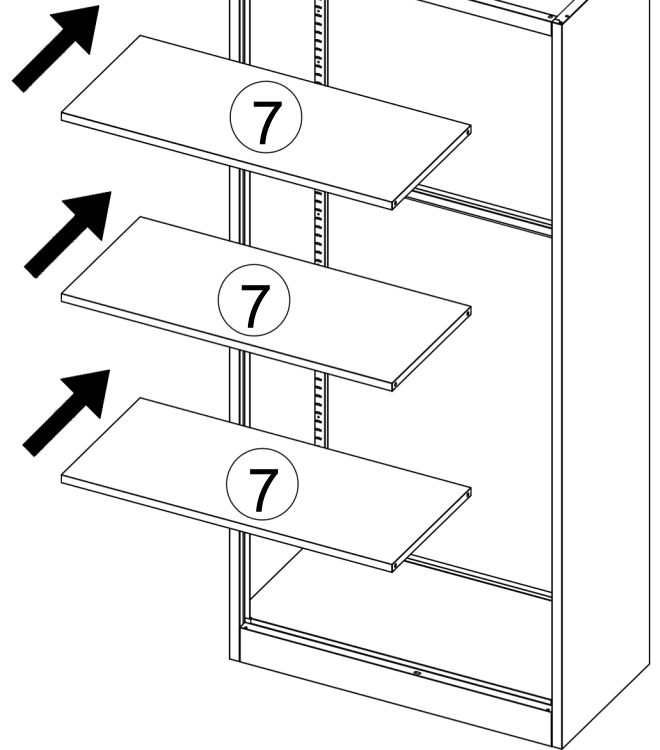
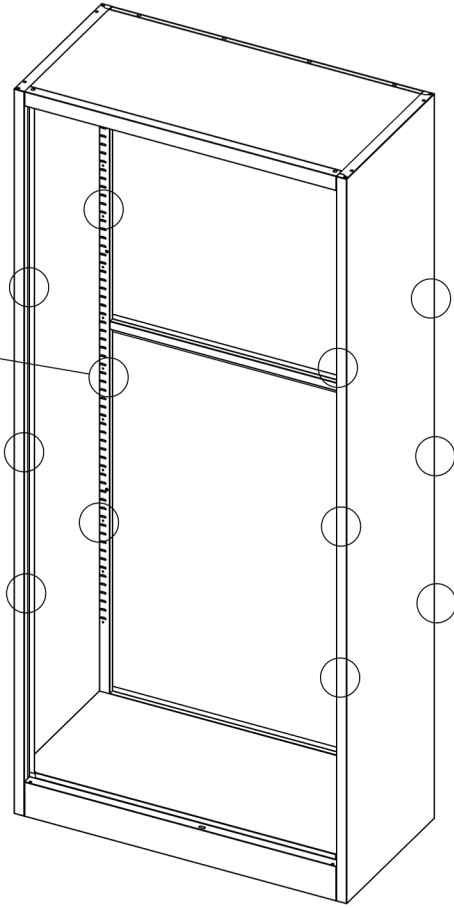
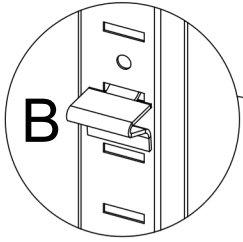
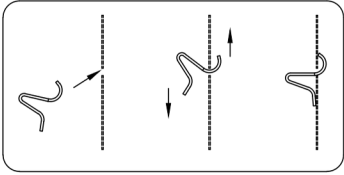
6



A × 1

M5×12 mm

7

B × 12



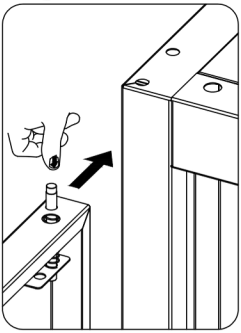
8

C × 2

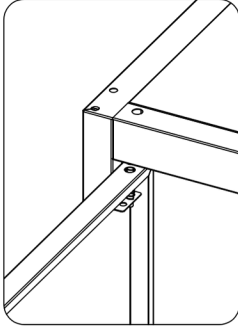
D × 2



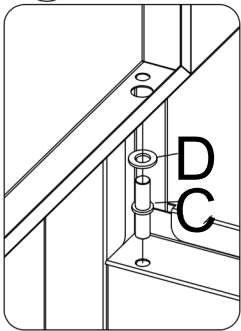
III



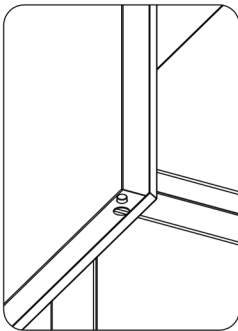
IV



I



II



8

9

